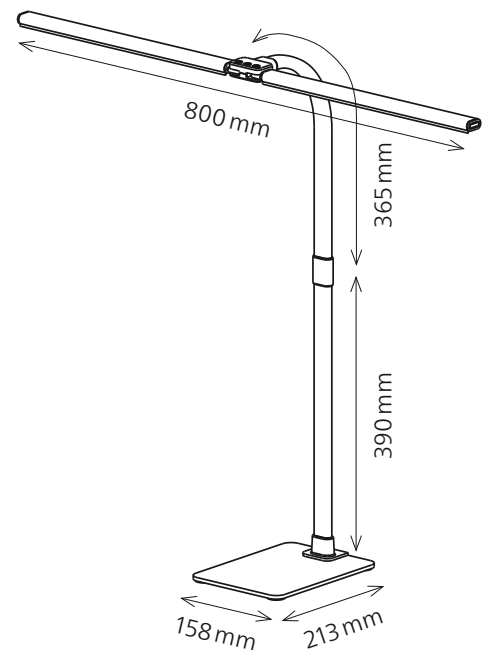


Novano

- LED luminaire with double head for flexible light direction
- Stepless dimming
- Automatic switch-off after 40 min.
- Color temperature from warm white to daylight white
- Memory function



Technical data

Power:	20 W
Weighted energy consumption:	20 kWh / 1000 h
Voltage:	220 – 240 VAC, 50 – 60 Hz
Luminous flux:	1200 Lumen
Luminous efficacy:	60 Lumen / Watt
Colour temperature:	3000–6500 Kelvin
Maximum illuminance:	2300 Lux (measuring distance 50 cm)
Colour rendering index (CRI):	> 80
Life time:	30 000 hours
Extension:	max. 770 mm
Height:	max. 745 mm
Arm length:	380 mm pole + 365 mm gooseneck
Base:	213 × 158 × 5 mm (L × W × H)
Head of lamp:	800 × 27 mm unfolded
Cable length:	1.8 m
Net weight:	1.86 kg
Material:	ABS, iron
Packaging:	brown packaging with coloured label
Light source:	energy efficiency class: F Model identifier: nova000100008

Item number: 41-5011.009 black

Interchangeability

The lighting source cannot be replaced. The construction of the luminaire does not allow the lighting source to be replaced, as there is a risk of damaging the luminaire.

styro ag
Frauholzstrasse 27
CH-6422 Steinen
info@styro.ch
www.styro.ch