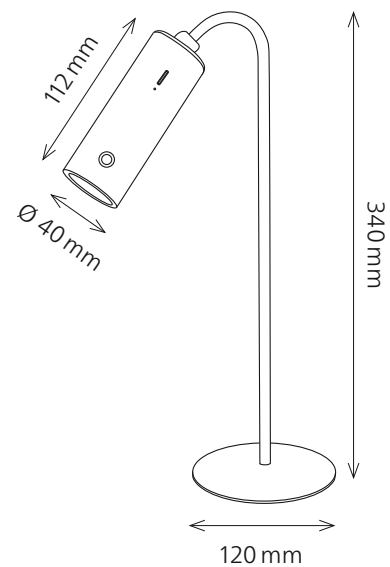


Flare spot

- Portable, wireless light with magnetic head to provide light wherever it is needed
- Not suitable for damp rooms, no contact with water
- The built-in 1200 mAh lithium-ion battery provides up to 9 hours of lighting (with min. light output)
- Incl. clamp, magnetic wall mounting element and USB charging cable with USB-C plug (power adapter not included)
- 3-step dimmer on the lamp head



Technical data

Power:	4 W
Weighted energy consumption:	4 kWh / 1000 h
Voltage:	Input: DC 5V, 1A
Battery typ:	Lithium-ion cell 3.7V, 4.44 Wh
Battery capacity:	1200 mAh, run time: 9 hours (at min. brightness)
Charging time:	2.5 hours
Luminous flux:	120 Lumen
Efficiency:	30 Lumen / Watt
Colour temperature:	4000 Kelvin (neutral white)
Maximum illuminance:	950 Lux (measuring distance 20 cm)
Colour rendering index (Ra):	> 80
Life time:	30 000 hours
Ingress Protection:	IP 20
Height:	340 mm
Pole:	Ø 7 mm x 335 mm
Lamp base:	Ø 120 mm x 5 mm
Lamp head:	Ø 40 mm x 112 mm length
Net weight:	650 g
Material:	Iron, aluminium alloy, PC, ABS
Packaging:	brown sales packaging with colored label
Light source:	energy efficiency class: G Model identifier: flasp00100204

Item number: 41-5011.204 white matt

Interchangeability

The lighting source cannot be replaced. The construction of the luminaire does not allow the lighting source to be replaced, as there is a risk of damaging the luminaire.

styro ag
Frauholzstrasse 27
CH-6422 Steinen
info@styro.ch
www.styro.ch