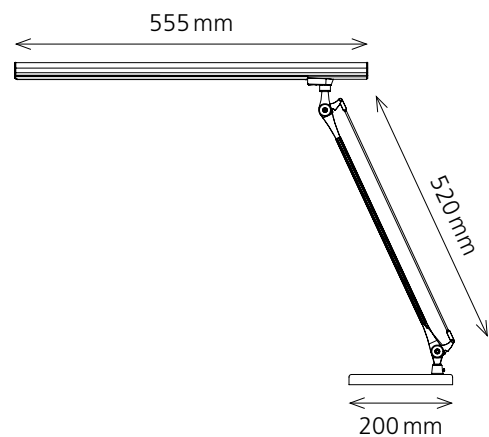


## LED Grafilux

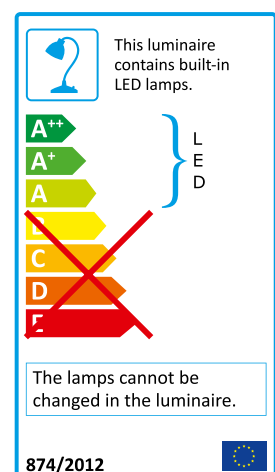
- A top quality professional office lamp
- Made of polished aluminium
- Thanks to its long head the lamp provides excellent illumination
- Depending upon where it is placed in the room it can even replace indirect lighting
- Clear, neutral white light and top finish



### Technical data:

Type of bulb:	LED 10 W
Weighted energy consumption:	13 kWh/1000 h
Voltage:	Input: AC 100–240V/Output: DC 32 V
Luminous flux:	1091 Lumen
Luminous efficacy:	92 Lumen/Watt
Colour temperature:	4000 Kelvin (neutral white)
Maximum illuminance:	2202 Lux (measured 40cm off table surface)
Colour rendering index (CRI):	94
Life time:	40 000 hours
Extension:	max. 800 mm
Height:	max. 650 mm
Arm length:	520 mm
Base:	Ø 200 mm
Head of lamp:	555 mm length x 75 mm width
Net weight:	3.08 kg
Material:	aluminium
Packaging:	4-coloured sales packaging

**Item number:** 41-5010.666 aluminium



Electrical and photometric data checked by the test center „Swiss Alpine Laboratories for Testing of Energy Efficiency“ (S.A.L.T.) at the University of Applied Sciences (HTW) Chur, Switzerland.